

Алматы (7273)495-231
Ангарск (3955)60-70-56
Архангельск (8182)63-90-72
Астрахань (8512)99-46-04
Барнаул (3852)73-04-60
Белгород (4722)40-23-64
Благовещенск (4162)22-76-07
Брянск (4832)59-03-52
Владивосток (423)249-28-31
Владикавказ (8672)28-90-48
Владимир (4922)49-43-18
Волгоград (844)278-03-48
Вологда (8172)26-41-59
Воронеж (473)204-51-73
Екатеринбург (343)384-55-89
Иваново (4932)77-34-06
Ижевск (3412)26-03-58
Иркутск (395)279-98-46
Казань (843)206-01-48

Калининград (4012)72-03-81
Калуга (4842)92-23-67
Кемерово (3842)65-04-62
Киров (8332)68-02-04
Коломна (4966)23-41-49
Кострома (4942)77-07-48
Краснодар (861)203-40-90
Красноярск (391)204-63-61
Курган (3522)50-90-47
Курск (4712)77-13-04
Липецк (4742)52-20-81
Магнитогорск (3519)55-03-13
Москва (495)268-04-70
Мурманск (8152)59-64-93
Набережные Челны (8552)20-53-41
Нижний Новгород (831)429-08-12
Новокузнецк (3843)20-46-81
Новосибирск (383)227-86-73
Ноябрьск(3496)41-32-12

Омск (3812)21-46-40
Орел (4862)44-53-42
Оренбург (3532)37-68-04
Пенза (8412)22-31-16
Пермь (342)205-81-47
Петрозаводск (8142)55-98-37
Псков (8112)59-10-37
Ростов-на-Дону (863)308-18-15
Рязань (4912)46-61-64
Самара (846)206-03-16
Санкт-Петербург (812)309-46-40
Саранск (8342)22-96-24
Саратов (845)249-38-78
Севастополь (8692)22-31-93
Симферополь (3652)67-13-56
Смоленск (4812)29-41-54
Сочи (862)225-72-31
Ставрополь (8652)20-65-13
Сургут (3462)77-98-35

Сыктывкар (8212)25-95-17
Тамбов (4752)50-40-97
Тверь (4822)63-31-35
Тольятти (8482)63-91-07
Томск (3822)98-41-53
Тула (4872)33-79-87
Тюмень (3452)66-21-18
Улан-Удэ (3012)59-97-51
Ульяновск (8422)24-23-59
Уфа (347)229-48-12
Хабаровск (4212)92-98-04
Чебоксары (8352)28-53-07
Челябинск (351)202-03-61
Череповец (8202)49-02-64
Чита (3022)38-34-83
Якутск (4112)23-90-97
Ярославль (4852)69-52-93

Россия +7(495)268-04-70

Казахстан +7(7172)727-132

Киргизия +996(312)96-26-47

<http://loundlux.nt-rt.ru> || exz@nt-rt.ru

БАРЬЕРНЫЕ МАШИНЫ WPB4700H, WPB4900H, WPB41100H

Технические характеристики

Pullman barrier washer extractors

WPB4700H, WPB4900H, WPB41100H

Features and benefits

- Two compartment inner drum separated by a Pullman partition for the best ergonomics and mechanical action on the market
- Automatic inner drum positioning in loading or unloading position
- Automatic locking and unlocking of outer drum doors
- Largest doors on the market
- Unloading by gravity, the easiest and fastest of the market
- End of cycle sound and visual alarm for optimum productivity
- Intuitive programming control panel
 - 8 colour industrial touch screen
 - Smart card reader & writer
 - Electrolux unfolding menus
 - Choice of 14 languages
- Pneumatic suspensions for minimum vibrations
- Frequency control motor and Poly V belt for precise, consistent and silent rotation speeds
- 5 compartment soap box for manual supply or connection to automatic liquid system



Images shown are a representation of the product only and variations may occur.

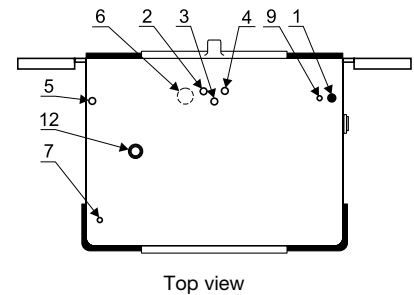
Main options

- Colour display on unloading side for best process control and productivity
- IS – Integrated Saving
- Integrated pH meter for a better performing traceability
- Automatic opening of inner drum doors at the end of the washing cycle
- Titration valve for bath sampling
- Stainless steel cover panels
- Clean room application
- Opening of loading outer door at 180° for semi automatic loading.
- Third water inlet
- Second drain valve for water recycling

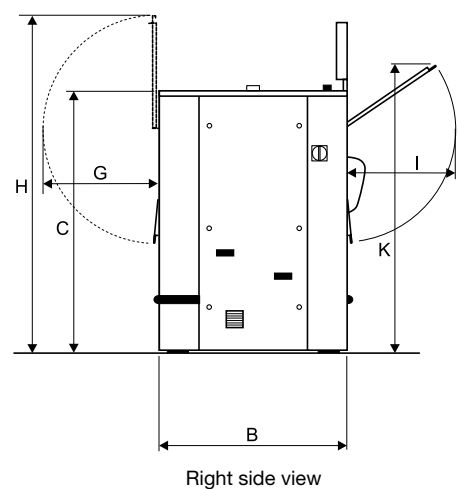
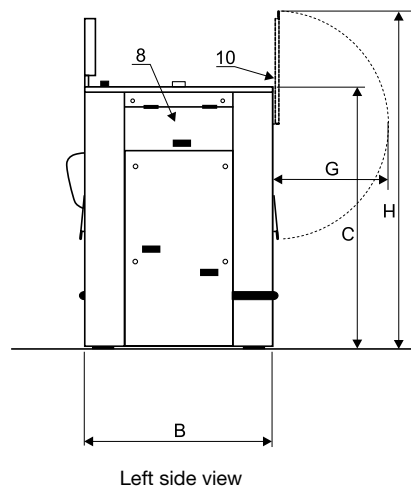
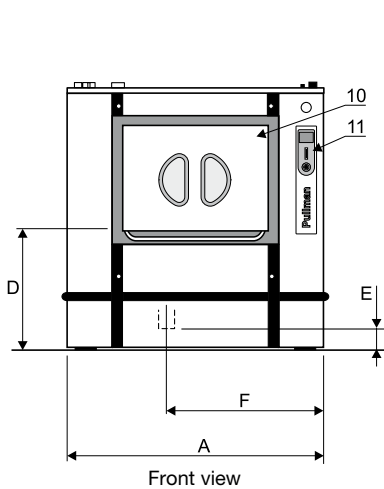
Main specifications			WPB4700H		WPB4900H		WPB41100H	
Rated capacity,	filling factor 1:10	kg/lb	70/154		90/198		110/242	
	filling factor 1:13	kg/lb	54/118		69/152		84/184	
Drum	volume	litre	690		890		1080	
	diameter	ø mm	1050		1050		1050	
Extraction		rpm	720		720		720	
G-factor			300		300		300	
Heating alternatives	electricity	kW	54		72		72	
	steam		x		x		x	
Consumption data "Normal 65°C" typical wash cycle with pre-wash*			Electric	Steam	Electric	Steam	Electric	Steam
Water consumption (cold)		litre	990	990	1190	1190	1490	1490
Energy consumption (motor/heating)*		kWh/h	1.86/15	1.86	2.3/22	2.3	2.4/26	2.4
Steam consumption		kg	-	24	-	32	-	36
Compressed air consumption		litre	50	50	50	50	50	50
<small>* Typical cycle (filling 1/10) prewash 3 mn 35°C, drain 2 mn, main wash 4 mn 65°C, drain 2 mn, rinse 2 mn distribution 2 min, rinse 2 min, extraction 2 mn, rinse 2 mn, extraction 10 mn (cold water temperature 15°C).</small>								

Certified in accordance with ISO 9001 and ISO 14001 and approved IP 24D.

Electrical connections*		WPB4700H	WPB4900H	WPB41100H
Heating Voltage				
Electric	380-415V 3 AC 50/60 Hz kW(A)	65.7 (125)	87.7 (160)	91 (160)
Steam or non-heated	380-415V 3 AC 50/60 Hz kW(A)	11.7 (40)	15.7 (40)	19 (50)
Water and steam connections				
Water valves	DN	32	32	32
Water pressure	kPa	50-	50-	50-600
Capacity at 250 kPa	l/min	200	200	200
Drain valve	ø mm	110	110	110
Draining capacity	l/min	380	380	380
Steam valve	DN	25	25	25
Steam pressure	kPa	300-	300-	300-600
Compressed air	mm	6/8	6/8	6/8
Compressed air pressure	kPa	550-	550-	550-700
Sound levels				
Airborne sound level (washing/extraction)	dB(A)	64/83	64/83	67/83
Heat emission				
% of installed power	max	5	5	5
Shipping data				
Weight	net, kg	2600	2800	2900
Dimensions in mm				
A	Width	1496	1726	1956
B	Depth	1363	1363	1363
C	Height	2040	2040	2040
D		990	990	990
E		240	240	240
F		965	1080	1195
G	with 180° door opening option only	830	830	830
H	with 180° door opening option only	2580	2580	2580
I		790	790	790
K		2075	2075	2075
1	Electrical connection	7	Liquid supply connection	
2	Cold water	8	Soap box	
3	Hot water	9	Compressed air	
4	Cold soft water	10	Loading/unloading door	
5	Steam connection	11	Control panel	
6	Drain	12	Vent connection	



* Other voltages available, see installation manual.



Алматы (7273)495-231
Ангарск (3955)60-70-56
Архангельск (8182)63-90-72
Астрахань (8512)99-46-04
Барнаул (3852)73-04-60
Белгород (4722)40-23-64
Благовещенск (4162)22-76-07
Брянск (4832)59-03-52
Владивосток (423)249-28-31
Владикавказ (8672)28-90-48
Владимир (4922)49-43-18
Волгоград (844)278-03-48
Вологда (8172)26-41-59
Воронеж (473)204-51-73
Екатеринбург (343)384-55-89
Иваново (4932)77-34-06
Ижевск (3412)26-03-58
Иркутск (395)279-98-46
Казань (843)206-01-48

Калининград (4012)72-03-81
Калуга (4842)92-23-67
Кемерово (3842)65-04-62
Киров (8332)68-02-04
Коломна (4966)23-41-49
Кострома (4942)77-07-48
Краснодар (861)203-40-90
Красноярск (391)204-63-61
Курган (3522)50-90-47
Курск (4712)77-13-04
Липецк (4742)52-20-81
Магнитогорск (3519)55-03-13
Москва (495)268-04-70
Мурманск (8152)59-64-93
Набережные Челны (8552)20-53-41
Нижний Новгород (831)429-08-12
Новокузнецк (3843)20-46-81
Новосибирск (383)227-86-73
Ноябрьск(3496)41-32-12

Омск (3812)21-46-40
Орел (4862)44-53-42
Оренбург (3532)37-68-04
Пенза (8412)22-31-16
Пермь (342)205-81-47
Петрозаводск (8142)55-98-37
Псков (8112)59-10-37
Ростов-на-Дону (863)308-18-15
Рязань (4912)46-61-64
Самара (846)206-03-16
Санкт-Петербург (812)309-46-40
Саранск (8342)22-96-24
Саратов (845)249-38-78
Севастополь (8692)22-31-93
Симферополь (3652)67-13-56
Смоленск (4812)29-41-54
Сочи (862)225-72-31
Ставрополь (8652)20-65-13
Сургут (3462)77-98-35

Сыктывкар (8212)25-95-17
Тамбов (4752)50-40-97
Тверь (4822)63-31-35
Тольятти (8482)63-91-07
Томск (3822)98-41-53
Тула (4872)33-79-87
Тюмень (3452)66-21-18
Улан-Удэ (3012)59-97-51
Ульяновск (8422)24-23-59
Уфа (347)229-48-12
Хабаровск (4212)92-98-04
Чебоксары (8352)28-53-07
Челябинск (351)202-03-61
Череповец (8202)49-02-64
Чита (3022)38-34-83
Якутск (4112)23-90-97
Ярославль (4852)69-52-93

Россия +7(495)268-04-70

Казахстан +7(7172)727-132

Киргизия +996(312)96-26-47

<http://loundlux.nt-rt.ru> || exz@nt-rt.ru