

Алматы (7273)495-231
Ангарск (3955)60-70-56
Архангельск (8182)63-90-72
Астрахань (8512)99-46-04
Барнаул (3852)73-04-60
Белгород (4722)40-23-64
Благовещенск (4162)22-76-07
Брянск (4832)59-03-52
Владивосток (423)249-28-31
Владикавказ (8672)28-90-48
Владимир (4922)49-43-18
Волгоград (844)278-03-48
Вологда (8172)26-41-59
Воронеж (473)204-51-73
Екатеринбург (343)384-55-89
Иваново (4932)77-34-06
Ижевск (3412)26-03-58
Иркутск (395)279-98-46
Казань (843)206-01-48

Калининград (4012)72-03-81
Калуга (4842)92-23-67
Кемерово (3842)65-04-62
Киров (8332)68-02-04
Коломна (4966)23-41-49
Кострома (4942)77-07-48
Краснодар (861)203-40-90
Красноярск (391)204-63-61
Курган (3522)50-90-47
Курск (4712)77-13-04
Липецк (4742)52-20-81
Магнитогорск (3519)55-03-13
Москва (495)268-04-70
Мурманск (8152)59-64-93
Набережные Челны (8552)20-53-41
Нижний Новгород (831)429-08-12
Новокузнецк (3843)20-46-81
Новосибирск (383)227-86-73
Ноябрьск(3496)41-32-12

Омск (3812)21-46-40
Орел (4862)44-53-42
Оренбург (3532)37-68-04
Пенза (8412)22-31-16
Пермь (342)205-81-47
Петрозаводск (8142)55-98-37
Псков (8112)59-10-37
Ростов-на-Дону (863)308-18-15
Рязань (4912)46-61-64
Самара (846)206-03-16
Санкт-Петербург (812)309-46-40
Саранск (8342)22-96-24
Саратов (845)249-38-78
Севастополь (8692)22-31-93
Симферополь (3652)67-13-56
Смоленск (4812)29-41-54
Сочи (862)225-72-31
Ставрополь (8652)20-65-13
Сургут (3462)77-98-35

Сыктывкар (8212)25-95-17
Тамбов (4752)50-40-97
Тверь (4822)63-31-35
Тольятти (8482)63-91-07
Томск (3822)98-41-53
Тула (4872)33-79-87
Тюмень (3452)66-21-18
Улан-Удэ (3012)59-97-51
Ульяновск (8422)24-23-59
Уфа (347)229-48-12
Хабаровск (4212)92-98-04
Чебоксары (8352)28-53-07
Челябинск (351)202-03-61
Череповец (8202)49-02-64
Чита (3022)38-34-83
Якутск (4112)23-90-97
Ярославль (4852)69-52-93

Россия +7(495)268-04-70

Казахстан +7(7172)727-132

Киргизия +996(312)96-26-47

<http://loundlux.nt-rt.ru> || exz@nt-rt.ru

СТИРАЛЬНЫЕ МАШИНЫ WD5240

Технические характеристики

Professional Washer-Dryer

WD5240

Features and benefits

- **Convenience**
 - Washing and drying is done in one machine
 - The WD can also be used as a regular washer or dryer
- **Space saving**
 - Only 1 or 1.4 m² floor space
 - A traditional solution will use the double space
- **Compass Pro[®] microprocessor offers:**
 - Large display and one control knob for easy program selection
 - Language selection
 - Quick selection and option buttons for the most frequently used wash programs and options
 - Wash program packages optimized on Economy, Performance and Time. (Available on general programs)
- **AS – Automatic Savings:**
 - The machine weighs the linen and adjusts the amount of water and energy according to the load. This leads to considerable savings in case the machine is not fully loaded. (Available on general programs)
- Extremely low water and energy consumption – see table below
- Four compartment detergent box for manual dosing of powder or liquid detergent
- High extraction force for efficient dewatering
- Door with gasket and strong hinges built for heavy duty operation
- Stainless and galvanized steel in all vital parts for high degree of rust protection
- **Power Balance:**
 - Maximises the extraction force, leading to highest dewatering and savings in drying
 - Minimizes the stress on the machine, leading to trouble-free operation and increased machine lifetime
 - Reduces vibrations, making it possible to install the machine in all locations



Images shown are a representation of the product only and variations may occur.

Main options

- Connection to payment system or coin meter

Main specifications			WD5240
Recommended load, washing/drying		kg/lb	12/26
Max. load washing/drying		kg/lb	15/33
Max. load washing only		kg/lb	27/55
Max. load drying only		kg/lb	15/33
Drum, volume		litre	240
	diameter	ø mm	795
Extraction		rpm	890
G-factor			350
Heating alternatives, 240/415V			
	electricity (washing/drying)	kW	16.5/19.8
	gas (drying)	BTU/h (kW)	68400 (19)
	non-heated (washing)		x
Consumption data, Normal 60°C wash&dry at rec. capacity* Economy			
Total time	non heated (heated)	min	75 (78)
Water consumption	cold/hot	litre	81/22
Energy consumption, (wash heated) motor/heating/hot water/drying		kWh	0.55/0.65/1.4/7.6
(wash non-heated) motor/hot water/drying		kWh	0.55/0/1.4/7.6
Evaporation, electric heated machine		g/min	207
Evaporation, gas heated machine		g/min	230
Energy kWh/litre evaporated		kWh/l	1.35

* Water temperature 15°C cold water and 65°C hot water.

Produced according to ISO 9001 and ISO 14001.

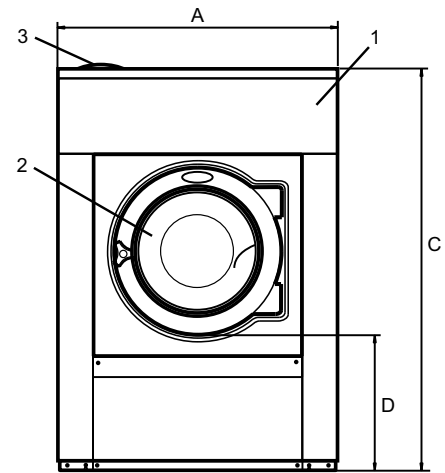
Certified with CB certificate for Low Voltage Directive and S-mark according to the Machinery Directive. Protection class IP X4D.

Electrical connections					
Heating alternative	Main voltage		Heating power kW	Total power kW	Recommended fuse A
		Hz			
Electric heated Washer	220-240V 3 ~	50/60	19.8/23.0	20.5/23.7	63
	380-415V 3 ~	50/60	19.8/23.0	20.5/23.7	35/50
	440V 3 ~	60	21.0/23.0	21.7/23.7	35
	480V 3 ~	60	22.8/23.0	23.5/23.7	35
	220-230V 3 ~	50/60	19.1	19.8	63
Electric heated Dryer	220-240V 1 ~	50/60	16.5	16.9	80
	220-240V 3 ~	50/60	16.5	16.9	50
	380-415V 3 ~	50/60	16.5	16.9	25
Non-heated	220-240V 1 ~	50/60	-	2.5	16
	380-480V 1 ~	50/60	-	2.5	10

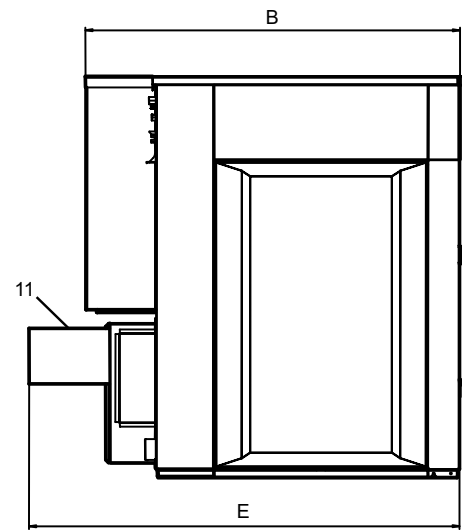
Water and steam connection		WD5240	
Water valves	DN	20	
Water pressure	kPa	150-400	
Capacity at 300 kPa	l/min	60	
Drain valve	ø mm	75	
Draining capacity	l/min	150	
Gas valve	ISO 7/1-R	1/2	
Liquid detergent supplies		5	
Air connections			
Air outlet	ø mm	200	
Evacuated air	m ³ /h	580	
Pressure drop	Max. Pa	350	
Floor requirements			
Frequency of the dynamic force	Hz	13.7	
Max floor load at extraction	kN	5.5 ± 1.3	
Sound levels			
Sound pressure level*	dB(A)	78	
Sound power level (IEC 60704-2-4)	dB(A)	83	
Heat emission			
% of installed power washer, max		5	
% of installed power dryer, max		15	
Shipping data**			
Weight	net, kg	597	
Shipping volume	m ³	2.75	
Dimensions in mm			
A	Width	1020	
B	Depth	1350	
C	Height	1450	
D		500	
E		1550	
F		1170	
G		95	
H		1360	
I		1215	
J		105	
K		265	
L		440	
M		430	
N		650	
O		710	
P		535	
1	Operating panel	8	Electrical connection
2	Door opening: ø 435 mm	9	Hot water
3	Detergent container	10	Cold water
4	Cold or hot water	11	Exhaust connection
5	Drain	12	Fan inverter
6	Gas connection	13	Air inlet (option): ø 160 mm
7	Liquid supply connections		

* A-weighted emission sound pressure level at workingstations.

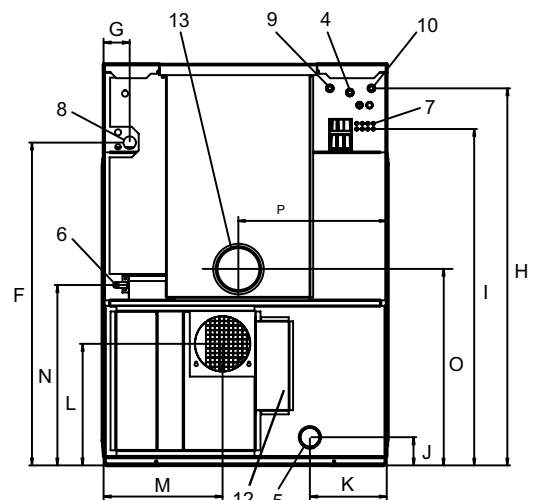
** Average data. Crated weight/shipping volume depends on configuration. Please contact logistics for exact measures.



Front



Left view



Rear side

Алматы (7273)495-231
Ангарск (3955)60-70-56
Архангельск (8182)63-90-72
Астрахань (8512)99-46-04
Барнаул (3852)73-04-60
Белгород (4722)40-23-64
Благовещенск (4162)22-76-07
Брянск (4832)59-03-52
Владивосток (423)249-28-31
Владикавказ (8672)28-90-48
Владимир (4922)49-43-18
Волгоград (844)278-03-48
Вологда (8172)26-41-59
Воронеж (473)204-51-73
Екатеринбург (343)384-55-89
Иваново (4932)77-34-06
Ижевск (3412)26-03-58
Иркутск (395)279-98-46
Казань (843)206-01-48

Калининград (4012)72-03-81
Калуга (4842)92-23-67
Кемерово (3842)65-04-62
Киров (8332)68-02-04
Коломна (4966)23-41-49
Кострома (4942)77-07-48
Краснодар (861)203-40-90
Красноярск (391)204-63-61
Курган (3522)50-90-47
Курск (4712)77-13-04
Липецк (4742)52-20-81
Магнитогорск (3519)55-03-13
Москва (495)268-04-70
Мурманск (8152)59-64-93
Набережные Челны (8552)20-53-41
Нижний Новгород (831)429-08-12
Новокузнецк (3843)20-46-81
Новосибирск (383)227-86-73
Ноябрьск(3496)41-32-12

Омск (3812)21-46-40
Орел (4862)44-53-42
Оренбург (3532)37-68-04
Пенза (8412)22-31-16
Пермь (342)205-81-47
Петрозаводск (8142)55-98-37
Псков (8112)59-10-37
Ростов-на-Дону (863)308-18-15
Рязань (4912)46-61-64
Самара (846)206-03-16
Санкт-Петербург (812)309-46-40
Саранск (8342)22-96-24
Саратов (845)249-38-78
Севастополь (8692)22-31-93
Симферополь (3652)67-13-56
Смоленск (4812)29-41-54
Сочи (862)225-72-31
Ставрополь (8652)20-65-13
Сургут (3462)77-98-35

Сыктывкар (8212)25-95-17
Тамбов (4752)50-40-97
Тверь (4822)63-31-35
Тольятти (8482)63-91-07
Томск (3822)98-41-53
Тула (4872)33-79-87
Тюмень (3452)66-21-18
Улан-Удэ (3012)59-97-51
Ульяновск (8422)24-23-59
Уфа (347)229-48-12
Хабаровск (4212)92-98-04
Чебоксары (8352)28-53-07
Челябинск (351)202-03-61
Череповец (8202)49-02-64
Чита (3022)38-34-83
Якутск (4112)23-90-97
Ярославль (4852)69-52-93

Россия +7(495)268-04-70

Казахстан +7(7172)727-132

Киргизия +996(312)96-26-47

<http://loundlux.nt-rt.ru> || exz@nt-rt.ru